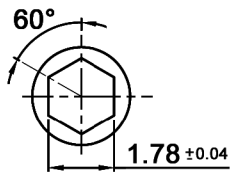
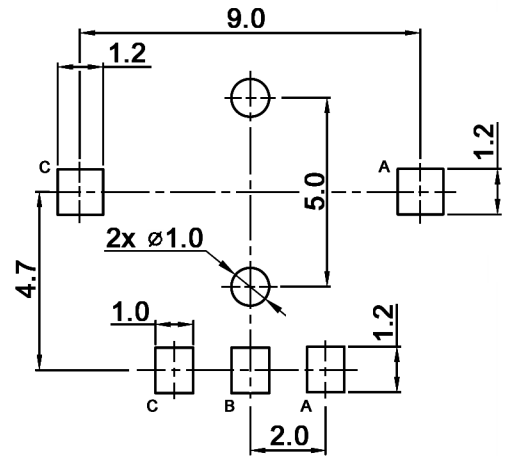


**SHAFT HOLE SHAPE AND DIMENSION**



**P.C.B. LAYOUT**



Compliance: RohS III (2015/863/EU)

Tolerances: $\pm 0.20\text{mm}$		Date	Name
		12/14	dr
Mounting	02/24	dr	
Dimensions	04/19	dr	
Top view	06/18	dr	
Specifications	06/17	dr	
Bounce	03/17	dr	
Modifications	Date	Name	

**MERS 7-24**

**30 32 38**

Page

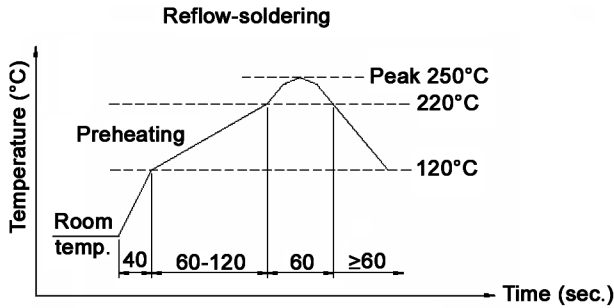
1/3

**knitter-switch**

**Specifications:**

**Contact rating:** 1mA, 10V DC max.; 1mA, 3.3V DC min.  
**Contact resistance:** 10 Ohm max.  
**Insulation resistance:** 50 MOhm min. at 50 V DC  
**Dielectric strength:** 50 V AC for 1 minute  
**Operating temperature:** -25°C to +80°C  
**Mechanical life:** 300 000 cycles  
**Electrical life:** 300 000 cycles  
**Rotational torque:** 25 +/-10gf.cm  
**No. and pos. of detents:** 24 detents; step angle 15° +/-3°  
   12 pulses / 360°  
**Mounting and operation:** mount the component on horizontal surface  
   (vertical shaft direction) to ensure proper function  
**Material:** Stem / base: nylon  
                   Case: stainless steel  
                   Spring plate: C5210  
                   Terminals: phosphor bronze, silver plated

**Soldering conditions:**

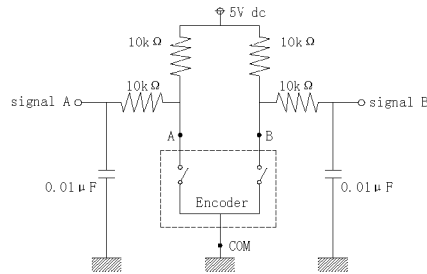


Compliance: RohS III (2015/863/EU)

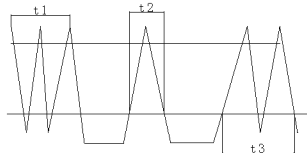
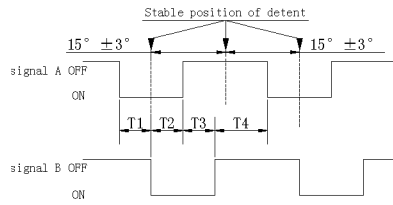
Tolerances: ±0.20mm		Date	Name	<h1>MERS 7-24</h1>	
		12/14	dr		
Mounting	02/24	dr			
Dimensions	04/19	dr			
Top view	06/18	dr	<h2>30 32 38</h2>	Page	
Specifications	06/17	dr		<b>knitter-switch</b>	2/3
Bounce	03/17	dr			
Modifications	Date	Name			

**Bounce specifications:**

**Test set-up:**



**Definitions:**



**Requirements (at 60 rpm):**

Phase difference T1, T2, T3, T4: 4.0 ms min. (initial)  
2.5 ms min. (after life)

Bouncing period t1, t2, t3: 5.0 ms max.

Compliance: RohS III (2015/863/EU)

Tolerances: ±0.20mm		Date	Name	<h1>MERS 7-24</h1>	
		12/14	dr		
Mounting	02/24	dr			
Dimensions	04/19	dr			
Top view	06/18	dr	<b>knitter-switch</b>	<h2>30 32 38</h2>	
Specifications	06/17	dr			Page
Bounce	03/17	dr			3/3
Modifications	Date	Name			